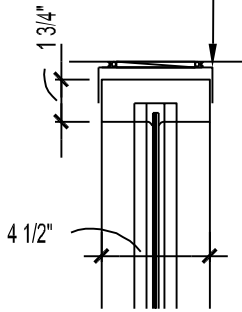
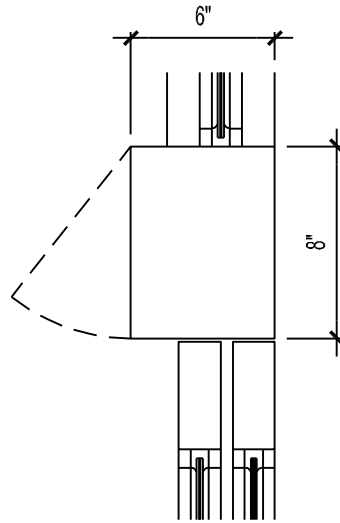


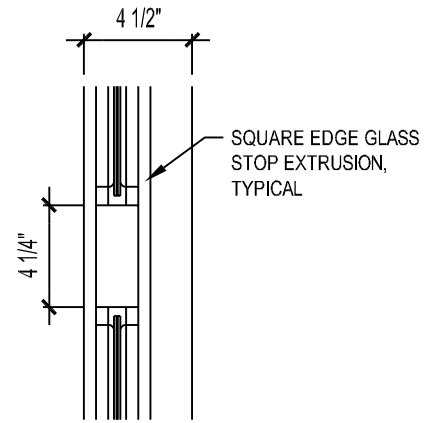
TWO PIECE TELESOPING  
FRAMING MEMBERS FOR  
DEFLECTION ALLOWANCE



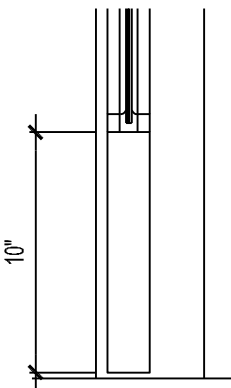
1 TRANSOM HEAD



2 DOOR OPERATOR

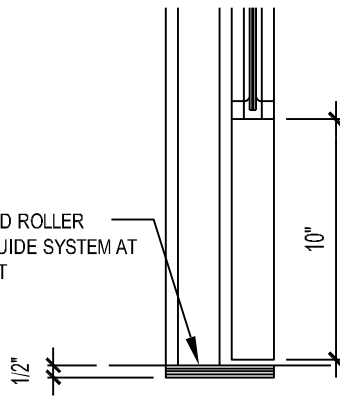


3 MUNTIN

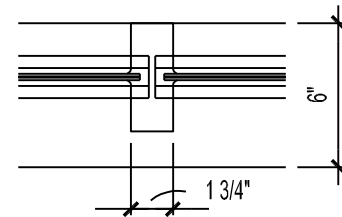


4 BOTTOM RAIL  
AT DOOR OPENING

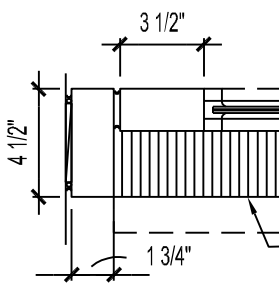
RECESSED ROLLER  
TRACK GUIDE SYSTEM AT  
SIDELIGHT



5 BOTTOM RAIL  
AT SIDELIGHT

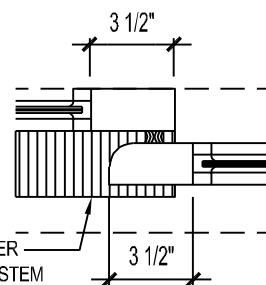


6 TRANSOM JAMB

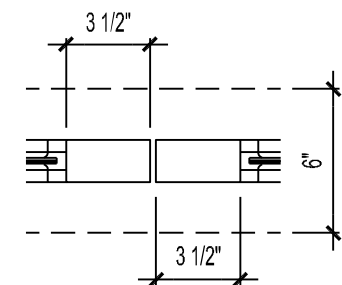


7 JAMB

RECESSED ROLLER  
TRACK GUIDE SYSTEM  
AT SIDELIGHT



8 SIDELIGHT JAMB



9 CENTER JAMB

DETAILS ARE APPLICABLE TO SLIDING AUTOMATIC ENTRANCE DOORS  
WITH EMERGENCY BREAKOUT SIDELIGHTS (SO-SX-SX-S0)

DATE	DEFENSE COMMISSARY AGENCY DIRECTORATE OF ENGINEERING FORT LEE, VIRGINIA - LACKLAND AFB, TEXAS		DESIGN STANDARD
JUN 2022	TITLE	SLIDING AUTOMATIC ENTRANCE DOORS AT VESTIBULES WITHOUT ENTRANCE CARPET TILE	084229.23-02
	REF.		
	REV.		